

## CLF-NA Compression Load Cell 500kN~2MN



Low profile  
Flat surface

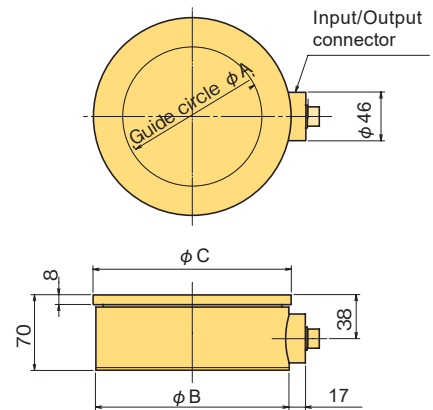
The CLF-NA is a thin load cell with a flat load bearing surface. It is widely used as a load sensor for industrial machinery, especially when measuring loads on rolling machines or measuring compression force on presses.

Protection ratings: IP65 equivalent

### SPECIFICATIONS

TYPE	CLF-500KNA	CLF-1MNA	CLF-1.5MNA	CLF-2MNA
Capacity	500kN	1MN	1.5MN	2MN
Rated Output	2mV/V (4000×10 <sup>-6</sup> strain) ±0.5%			
Non-linearity	0.3%RO			
Hysteresis	0.2%RO			
Temperature effect on zero	0.01%RO/°C			
Temperature effect on span	0.005%/°C			
Compensated temperature range	-10 ~ +60°C			
Allowable temperature range	-20 ~ +70°C			
Over load	150%			
Input/Output resistance	350Ω±5%			
Recommended exciting voltage	10V or less			
Allowable exciting voltage	20V			
Zero balance	5%RO			
Weight	6kg	8kg	10kg	13kg

Supplied cable : CT9-4N10/WP-STB (φ9mm 0.5mm<sup>2</sup> 4-core shielded chloroprene cable 10m)



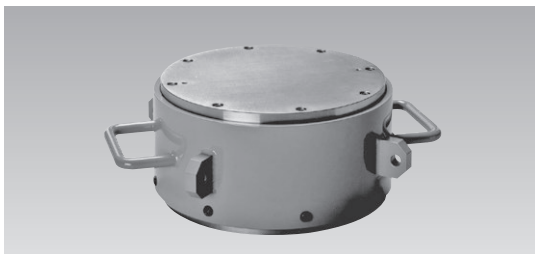
N.B.: Force should be applied uniformly to the surface including guide circle.

### DIMENSIONS

TYPE	φ A	φ B	φ C
CLF-500KNA	95	140	145
CLF-1MNA	130	180	185
CLF-1.5MNA	150	200	205
CLF-2MNA	170	220	225

## CLF-NA Compression Load Cell 3~10MN

Made-to-order



Low profile  
Flat surface

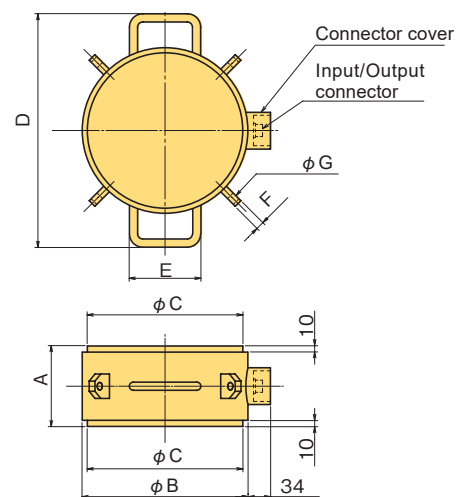
The CLF-NA is a thin load cell with a flat load bearing surface. It is widely used as a load sensor for industrial machinery, especially when measuring loads on rolling machines or measuring compression force on presses.

Protection ratings: IP65 equivalent

### SPECIFICATIONS

TYPE	CLF-3MNA	CLF-5MNA	CLF-10MNA
Capacity	3MN	5MN	10MN
Rated Output	1.5mV/V (3000×10 <sup>-6</sup> strain) ±0.5%		
Non-linearity	0.3%RO		
Hysteresis	0.2%RO		
Temperature effect on zero	0.01%RO/°C		
Temperature effect on span	0.005%/°C		
Compensated temperature range	-10 ~ +60°C		
Allowable temperature range	-20 ~ +70°C		
Over load	150%		
Input/Output resistance	350Ω±5%		
Recommended exciting voltage	10V or less		
Allowable exciting voltage	20V		
Zero balance	5%RO		
Weight	40kg	66kg	150kg

Supplied cable : CT9-4N10/WP-STB (φ9mm 0.5mm<sup>2</sup> 4-core shielded chloroprene cable 10m)



N.B.: Force should be applied uniformly to the sur-face.

### DIMENSIONS

TYPE	A	φ B	φ C	D	E	F	φ G
CLF-3MNA	125	255	240	355	110	13	11
CLF-5MNA	135	320	300	430	120	16	13
CLF-10MNA	170	415	390	555	130	27	22