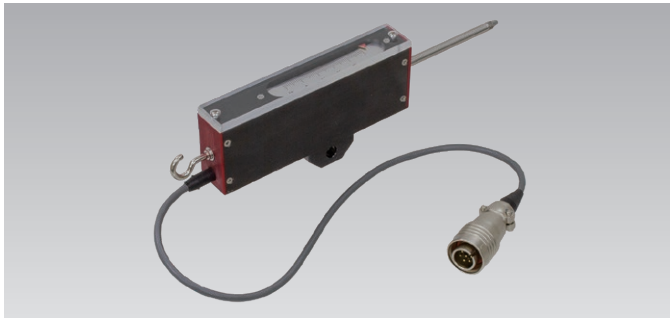
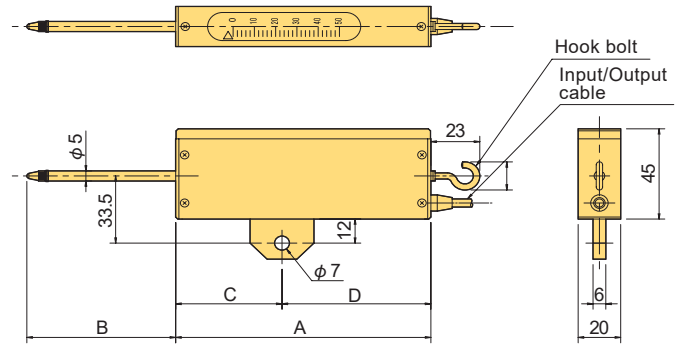


# DISPLACEMENT TRANSDUCERS

## SDP-ET Displacement Transducer 50/100mm



Wire tension  
General purpose



The SDP-ET displacement transducer is a general-purpose, strain gauge type transducer, and features measurement of tension displacement using hook bolt. Designed with a strain-generating cantilever, it is able to make stable measurement while maintaining the high sensitivity to minuscule displacements.

Protection ratings: IP40 equivalent

### SPECIFICATIONS

TYPE	SDP-50ET	SDP-100ET
Capacity	50mm	100mm
Rated Output	2.5mV/V(5000×10 <sup>-6</sup> strain) ±0.2%	
Sensitivity(x10 <sup>-6</sup> strain)/mm	100	50
Non-linearity	0.2%RO	
Spring force	6N	
Frequency response	1Hz	
Allowable temperature range	-10 ~ +60°C (no condensation)	
Input/Output resistance	350Ω	
Recommended exciting voltage	2V or less	
Allowable exciting voltage	5V	
Weight	220g	320g

Supplied cable : CT6-4V10/NJ-STB (φ6mm 0.3mm<sup>2</sup> 4-core shielded vinyl cable 10m)

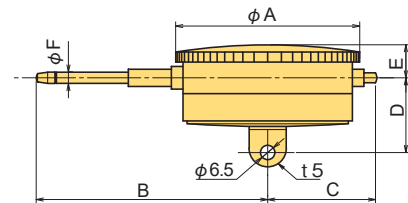
### DIMENSIONS

TYPE	A	B	C	D
SDP-50ET	120	70	50	70
SDP-100ET	210	120	90	130

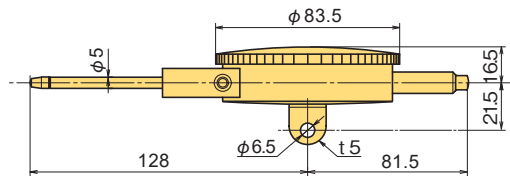
## DDP-A Displacement Transducer 10~50mm



DDP-10~30A



DDP-50A



The DDP-A displacement transducer is a dial gauge with a strain sensing element and a bridge circuit integrated. The amount of displacement can be checked by viewing the pointer while the output from the sensing element can be used to control a recorder or a machine.

Protection ratings: IP40 equivalent

### Dial gauge Integrated

#### SPECIFICATIONS

TYPE	DDP-10A	DDP-20A	DDP-30A	DDP-50A
Capacity	10mm	20mm	30mm	50mm
Rated Output	1.5mV/V(3000×10 <sup>-6</sup> strain) ±0.3%			2.5mV/V(5000×10 <sup>-6</sup> strain) ±0.3%
Sensitivity(x10 <sup>-6</sup> strain)/mm	300	150	100	
Non-linearity	0.3%RO			
Spring force	2.9N	3.9N		5.4N
Frequency response	2Hz		1Hz	
Allowable temperature range	-10 ~ +60°C (no condensation)			
Input/Output resistance	350Ω			
Recommended exciting voltage	2V or less			
Allowable exciting voltage	5V			
Weight	190g	340g	400g	500g

Supplied cable : CT6-4V10/NJ-STB (φ6mm 0.3mm<sup>2</sup> 4-core shielded vinyl cable 10m)

#### DIMENSIONS

TYPE	φA	B	C	D	E	φF
DDP-10A	53	65	40.5	33	14.5	4
DDP-20A	66.5	90	41	33	14.5	5
DDP-30A	76	102	46	33	15	5
DDP-50A	As per the figure					