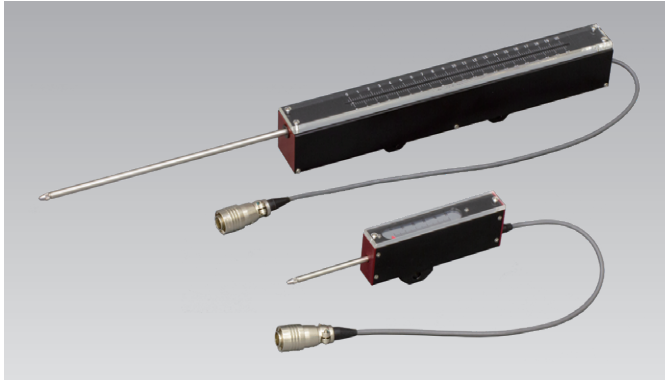


# DISPLACEMENT TRANSDUCERS

## SDP-E Displacement Transducer 50 / 100 / 200 / 300mm

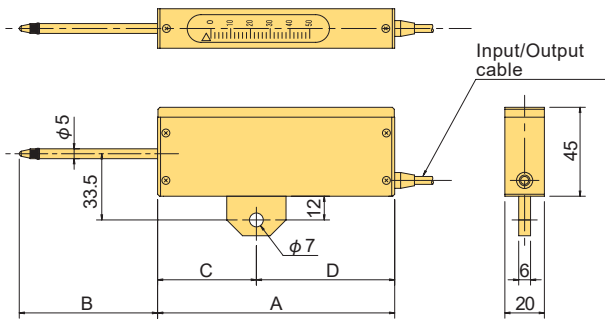


### General purpose

This is a strain gauge type displacement transducer for general purpose. This transducer has a small cantilever inside, and displacement is mechanically converted into deflection of the cantilever. Strain, which is proportional to the deflection, is generated on the cantilever and is measured by strain gauges. Stable measurement is possible even for a small displacement. The scale and pointer on the main body enables easy positioning of the transducer. For SDP-200E and SDP-300E, a dual-output type with two independent input/output ports is optionally available.

Protection ratings: IP40 equivalent

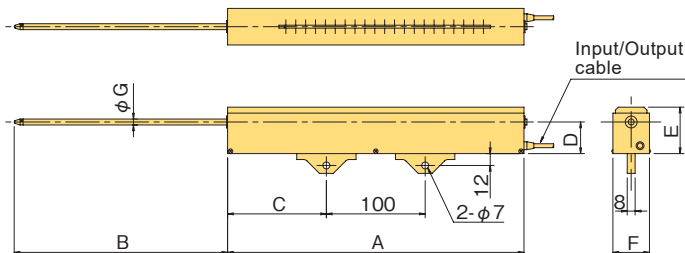
### SDP-50E/SDP-100E



#### ■ DIMENSIONS

TYPE	A	B	C	D
SDP-50E	120	70	50	70
SDP-100E	210	120	90	120

### SDP-200E/SDP-300E



#### ■ DIMENSIONS

TYPE	A	B	C	D	E	F	G
SDP-200E	300	216	100	32	47	37	6
SDP-300E	400	317	150	35	51	42	8

#### ■ SPECIFICATIONS

TYPE	SDP-50E	SDP-100E	SDP-200E	SDP-300E
Capacity	50mm	100mm	200mm	300mm
Rated Output	2.5mV/V(5000×10 <sup>-6</sup> strain) ±0.2%		5mV/V(10000×10 <sup>-6</sup> strain) ±0.3%	
Sensitivity(x10 <sup>-6</sup> strain)/mm	100	50	50	33
Non-linearity	0.2%RO		0.3%RO	
Spring force	6N			7.4N
Frequency response	1Hz		2Hz	
Allowable temperature range	-10 ~ +60°C (no condensation)			
Input/Output resistance	350Ω			
Recommended exciting voltage	2V or less			
Allowable exciting voltage	5V		10V	
Weight	220g	320g	900g	1200g

Supplied cable : CT6-4V10/NJ-STB (φ 6mm 0.3mm<sup>2</sup> 4-core shielded vinyl cable 10m)