

DISPLACEMENT TRANSDUCERS

CDP-T Displacement Transducer

25mm

NEW

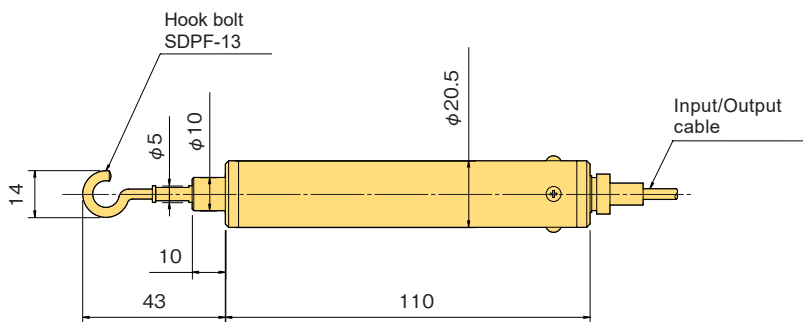


Wire tension High precision

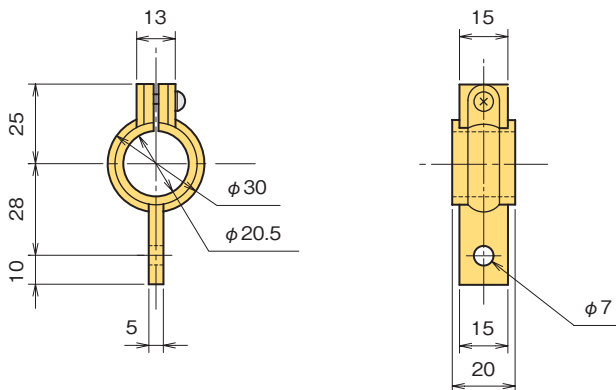
The CDP-T displacement transducer is the Tensile-type CDP displacement transducer. Use the hook on the measuring axis of the main unit to measure the displacement via a wire or other means.

Because it is designed to produce a large output and to deliver stable performance, highly accurate measurements can be made. (Please take into account the loss of sensitivity due to stretching of wires, etc. before use.)

Protection ratings: IP40 equivalent



HOLDER CDPF-11-25



■ SPECIFICATIONS

TYPE	CDP-25T
Capacity	25mm
Rated Output	6.25mV/V(12500×10 ⁻⁶ strain) ±0.15%
Sensitivity(x10 ⁻⁶ strain)/mm	500
Non-linearity	0.15%RO
Spring force	3.4N
Frequency response	8Hz
Temperature effect on zero	0.015%RO/°C
Compensated temperature range	0 ~ +40°C (no condensation)
Allowable temperature range	-10 ~ +60°C (no condensation)
Input/Output resistance	350Ω
Recommended exciting voltage	2V or less
Allowable exciting voltage	10V
Holders supplied	CDPF-11-25 1 pcs.
Weight	115g

Supplied cable : CT6-4V10/NJ-STB (φ6mm 0.3mm² 4-core shielded vinyl cable 10m)