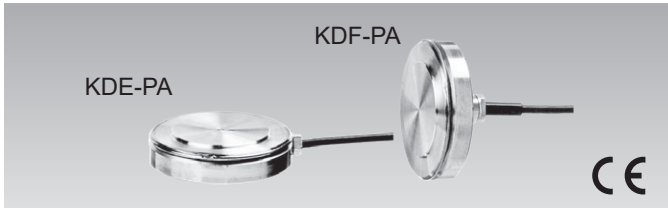


Soil pressure at construction site

KDE-PA/KDF-PA Soil Pressure Gauge

Civil engineering design



The KDE-PA and KDF-PA are soil pressure gauges each 50 mm in outside diameter. They are small in size and have a dual diaphragm structure, so they are widely used to conduct model experiments. The difference between these two models is the way the cable is attached to the gauge body.

Protection ratings: IP68 equivalent

Made of all stainless steel with excellent corrosion resistance

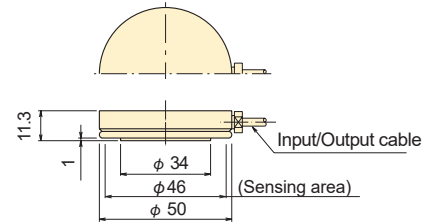
Minute displacement of pressure-sensitive area due to dual-diaphragm structure

Can measure dynamic earth pressure, too

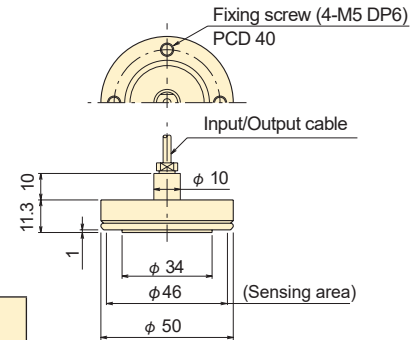
SPECIFICATIONS

TYPE	KDE-200KPA KDF-200KPA	KDE-500KPA KDF-500KPA	KDE-1MPA KDF-1MPA	KDE-2MPA KDF-2MPA
Capacity	200kPa	500kPa	1MPa	2MPa
Rated Output	0.3mV/V (600×10 ⁻⁶ strain)	0.5mV/V(1000×10 ⁻⁶ strain)		
Non-linearity	2%RO			
Allowable temperature range	-20 ~ +60°C			
Input/Output resistance	350Ω			
Recommended exciting voltage	3V or less			
Allowable exciting voltage	10V			
Cable drawing direction	KDE-PA: from side of body		KDF-PA: from back of body	
Weight	160 g			

KDE-PA



KDF-PA



Input/Output cable :
φ 3mm 0.05mm² 4-core shielded chloroprene cable 2m

KDG-PA/KDH-PA Load Cell type Soil Pressure Gauge

Civil engineering design



The KDG-PA and KDH-PA are stainless-steel soil pressure gauges each 100 mm in outside diameter. They are load-cell-type soil pressure gauges and designed with a high level of resistance to lateral pressure. The difference between these two models is the way the cable is attached to the gauge body.

Protection ratings: IP68 equivalent

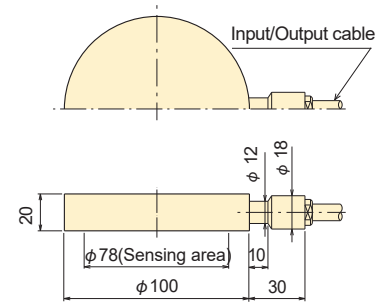
Made of all stainless steel with excellent corrosion resistance

Robuster than the diaphragm type

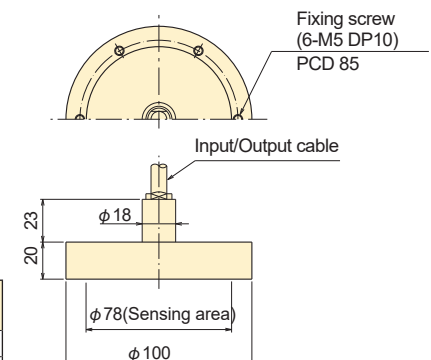
SPECIFICATIONS

TYPE	KDG-200KPA KDH-200KPA	KDG-500KPA KDH-500KPA	KDG-1MPA KDH-1MPA	KDG-2MPA KDH-2MPA
Capacity	200kPa	500kPa	1MPa	2MPa
Rated Output	1mV/V(2000×10 ⁻⁶ strain)			
Non-linearity	1%RO			
Allowable temperature range	-20 ~ +60°C			
Input/Output resistance	350Ω			
Recommended exciting voltage	3V or less			
Allowable exciting voltage	10V			
Cable drawing direction	KDG-PA: from side of body		KDH-PA: from back of body	
Weight	1.2 kg			

KDG-PA



KDH-PA



Input/Output cable :
φ 9mm 0.5mm² 4-core shielded chloroprene cable 2m