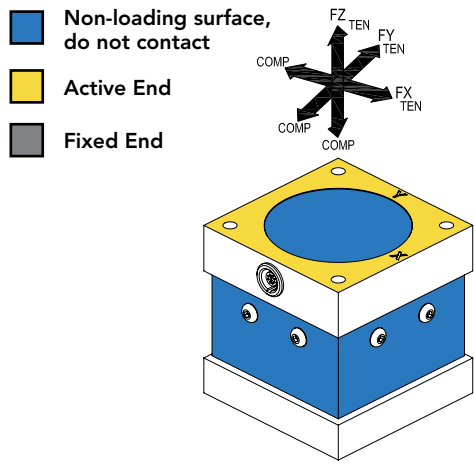




## FEATURES

- Ideal for wind tunnel lift, drag, and side force measurement
- Low mechanical crosstalk
- Ideal for flight control force auditing and measurement of Robotic Actuator and Reaction Forces



## SPECIFICATIONS

### PERFORMANCE

Capacity	Ch Fx: 250 lb; Ch Fy: 250 lb; Ch Fz: 500 lb
Nonlinearity	±0.25% of RO
Hysteresis	±0.25% of RO
Cross Talk	±3% of RO or less

### ELECTRICAL

Rated Output (Fx, Fy)	1.5 mV/V nom
Rated Output (Fz)	0.75 mV/V nom
Excitation (VDC or VAC)	18 max
Input Bridge Resistance	253 Ohm nom
Output Bridge Resistance	700 Ohm nom
Insulation Resistance	≥500 MOhm @ 50 VDC
Connection	10 pin LEMO® receptacle EGG.1B.310.CLL
Connector Code	CC8

### MECHANICAL

Weight (approximate)	2 lb [907 g]
Safe Overload	150% of RO
Material (flexure)	Aluminum, Red Anodized Covers
IP Rating	IP40

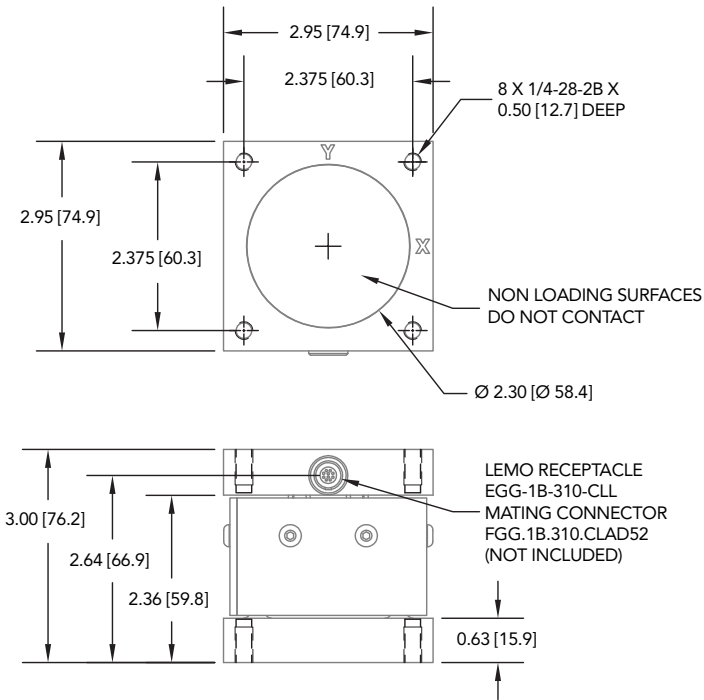
### TEMPERATURE

Operating Temperature	-60 to 200°F (-51 to 93°C)
Compensated Temperature	60 to 160°F (15 to 72°C)
Temperature Shift Zero	±0.01% of RO/°F (0.018% of RO/°C)
Temperature Shift Span	±0.01% of Load/°F (0.018% of Load/°C)

### CALIBRATION

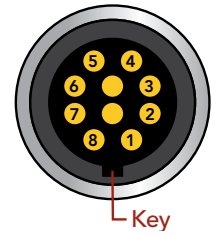
Calibration Test Excitation	10 VDC
Calibration (standard)	5-pt Compression
Calibration (available)	5-pt Tension
Shunt Calibration Value	301 kOhm (Fz) 150 kOhm (Fx, Fy)

## DIMENSIONS inches [mm]



## LEMO 10-PIN

PIN	CHANNEL	DESCRIPTION
1	F <sub>x</sub> , F <sub>y</sub> , F <sub>z</sub>	+ Excitation
2	F <sub>x</sub> , F <sub>y</sub> , F <sub>z</sub>	- Excitation
3		+ Signal
4	F <sub>x</sub>	- Signal
5	F <sub>y</sub>	+ Signal
6		- Signal
7	F <sub>z</sub>	+ Signal
8		- Signal



## CAPACITIES

lb	Deflection (in)	Natural Frequency (Hz)
F <sub>x</sub> & F <sub>y</sub> - 250	0.002	1000
F <sub>z</sub> - 500	0.001	4000

Drawing Number: FI1468

FUTEK reserves the right to modify its design and specifications without notice. Please visit [www.futek.com/salesterms](http://www.futek.com/salesterms) for complete terms and conditions.

10 Thomas, Irvine, CA 92618 USA

Tel: (949) 465-0900

Fax: (949) 465-0905

[www.futek.com](http://www.futek.com)

RoHS



U.S. Manufacturer