

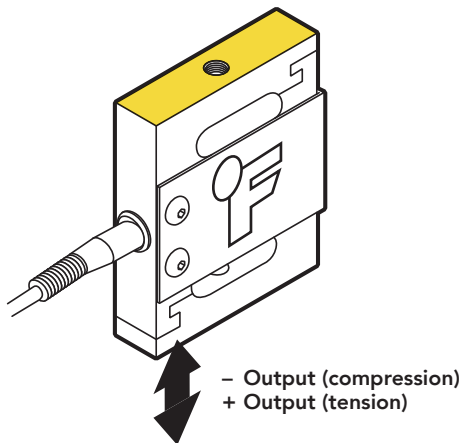
# S-Beam Tension and Compression Load Cell w/ Overload Protection



## FEATURES

- Up to 10 times the overload protection
- For in line use in both tension and compression
- Notable nonlinearity
- Connector strain relief

## Mounting end



## SPECIFICATIONS

### PERFORMANCE

Nonlinearity  $\pm 0.05\%$  of RO  
 $\pm 0.1\%$  of RO (300 lb)

Hysteresis  $\pm 0.05\%$  of RO  
 $\pm 0.1\%$  of RO (300 lb)

Nonrepeatability  $\pm 0.05\%$  of RO

### ELECTRICAL

Rated Output (RO) 2 mV/V nom  
3 mV/V (300 lb)

Excitation (VDC or VAC) 20 max

Bridge Resistance 1000 Ohm nom

Insulation Resistance  $\geq 500$  MOhm @ 50 VDC

Connection 4-Pin LEMO® connector receptacle standard.

Connector Code CC4 (LEMO)  
WC4 (Cable version)

### MECHANICAL

Weight (approximate) 5 oz [142 g]

Safe Overload 1000% (25–100 lb)  
500% (300 lb)

Material Anodized aluminum

IP Rating IP64 (Cable version), IP50 (LEMO)

### TEMPERATURE

Operating Temperature -60 to 200°F [-50 to 93°C] (Lemo Version)

Compensated Temperature 60 to 160°F [15 to 72°C]

Temperature Shift Zero  $\pm 0.001\%$  of RO/°F [0.0018% of RO/°C]

Temperature Shift Span  $\pm 0.0008\%$  of Load/°F [0.0014% of Load/°C]

### CALIBRATION

Calibration Test Excitation 10 VDC

Calibration (standard) 5-pt Tension

Calibration (available) Tension and Compression

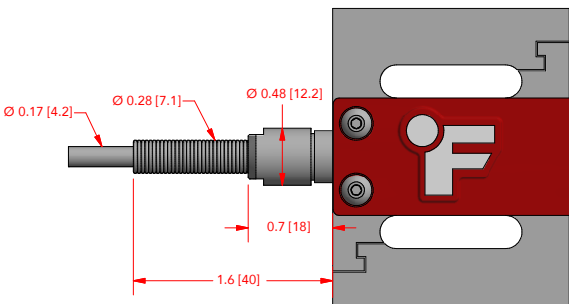
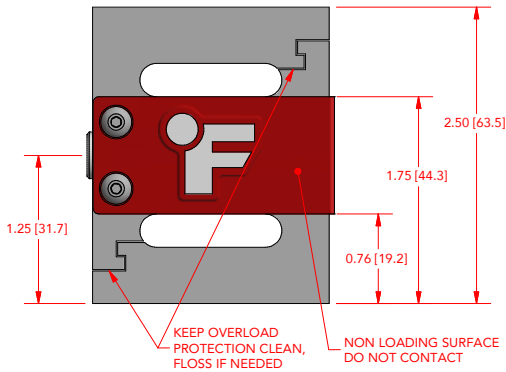
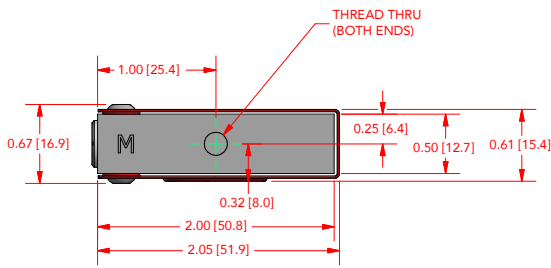
Shunt Calibration Value 150 kOhm  
100 kOhm (300 lb)

### CONFORMITY

RoHS EU 2015/863

CE EN55011; EN61326-1

**DIMENSIONS** inches [mm]

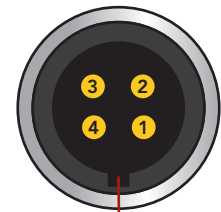


**CAPACITIES**

ITEM #	lb	N	Thread	Natural Frequency (Hz)	Deflection (in.)	LEMO® Connector
FSH04200	25	111	1/4-28	1150	0.006	X
FSH04205			M6 x 1			X
FSH04201	50	222	1/4-28	1600	0.006	X
FSH04206			M6 x 1			X
FSH04202	100	445	1/4-28	2200	0.007	X
FSH04207			M6 x 1			X
FSH04470	300	1334	1/4-28	2600	0.015	X
FSH04469			M6 x 1			X

**LEMO 4-PIN (CC4)**

PIN	COLOR	DESCRIPTION
1	Red	+ Excitation
2	Green	+ Signal
3	White	- Signal
4	Black	- Excitation



Align with key

Sensor Receptacle View

**WIRING CODE (WC4)**

RED	+ EXCITATION
BLACK	- EXCITATION
GREEN	+ SIGNAL
WHITE	- SIGNAL
ORANGE	+ SENSE
BLUE	- SENSE
SHIELD	GROUNDED

Drawing Number: F11446-B

FUTEK reserves the right to modify its design and specifications without notice. Please visit [www.futek.com/salesterms](http://www.futek.com/salesterms) for complete terms and conditions.

10 Thomas, Irvine, CA 92618 USA

Tel: (949) 465-0900

Fax: (949) 465-0905

[www.futek.com](http://www.futek.com)



RoHS



U.S. Manufacturer