



FEATURES

- Water Resistant and Outdoor Rated
- Compact Size
- Fast Response Rate (μs)
- 17-4 PH stainless-steel construction
- Environmental Protection, IP67 Rated
- Low power consumption
- Quick Disconnect Cable
- Includes bottom mounting provisions
- Notable non-linearity & non-repeatability

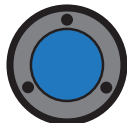
 Non-loading surface, do not contact

 Active End

 Fixed End



Top view



Bottom view



+ Output (compression)

SPECIFICATIONS

PERFORMANCE

Nonlinearity See chart on next page

Hysteresis See chart on next page

Nonrepeatability $\pm 0.1\%$ of RO

ELECTRICAL

Rated Output (RO) 2 mV/V nom

Excitation (VDC or VAC) 18 max

Bridge Resistance 700 Ohm nom

Insulation Resistance ≥ 500 MOhm @ 50 VDC

Connection 4 Position Micro Receptacle

Wiring/Connector Code CC19

MECHANICAL

Weight (approximate) 10.4 oz [294.8 g]

Safe Overload 150% of RO

Deflection See chart on next page

Material 17-4 PH stainless-steel

IP Rating IP67 (Micro Connector)

TEMPERATURE

Operating Temperature -60 to 200°F [-50 to 93°C]

Compensated Temperature 60 to 160°F [15 to 72°C]

Temperature Shift Zero $\pm 0.01\%$ of RO/ $^\circ\text{F}$ [0.018% of RO/ $^\circ\text{C}$]

Temperature Shift Span $\pm 0.005\%$ of LOAD/ $^\circ\text{F}$ [0.009% of LOAD/ $^\circ\text{C}$]

CALIBRATION

Calibration Test Excitation 10 VDC

Calibration (standard) 5-pt Compression

Shunt Calibration Value 100 kOhm

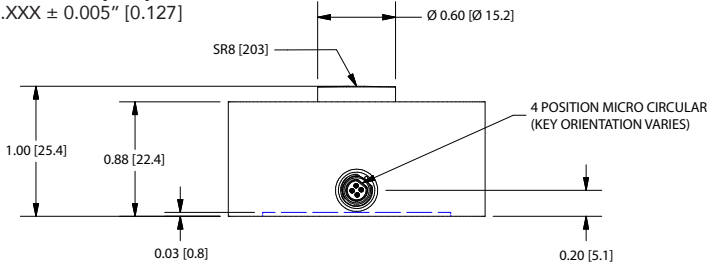
CONFORMITY

RoHS EU 2015/863

CE EN55011; EN61326-1

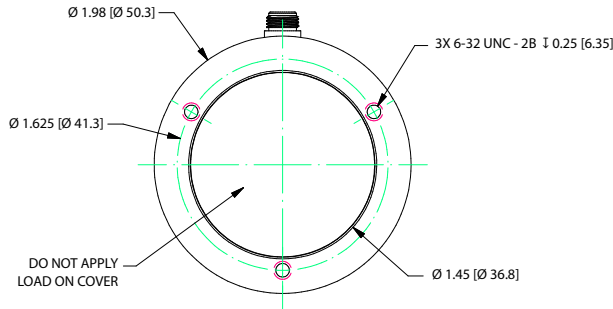
DIMENSIONS inches [mm]

TOLERANCE:
 .X ± 0.1" [2.5]
 .XX ± 0.01" [0.25]
 .XXX ± 0.005" [0.127]



FUTEK 4 PIN MICRO CIRCULAR (CC19)

1	+ EXCITATION	Red
2	- EXCITATION	Black
3	- SIGNAL	White
4	+ SIGNAL	Green



CAPACITIES

ITEM #	lb	N	Deflection (in)	Natural Frequency (kHz)	Nonlinearity (% of RO)	Hysteresis (% of RO)
FSH04543	15k	66720	0.0037	24	± 0.25%	± 0.25%
FSH04544	20k	88960	0.0041	25	± 0.25%	± 0.25%
FSH04545	30k	133440	0.0046	26	± 0.35%	± 0.35%

Drawing Number: FI1532

FUTEK reserves the right to modify its design and specifications without notice. Please visit www.futek.com/salesterms for complete terms and conditions.

10 Thomas, Irvine, CA 92618 USA
 Tel: (949) 465-0900

www.futek.com



R0HS



U.S. Manufacturer