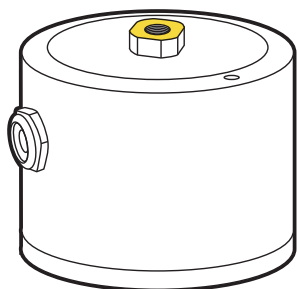
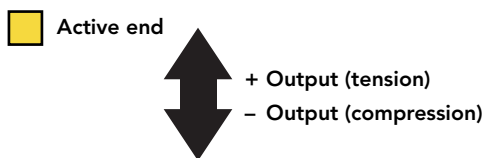


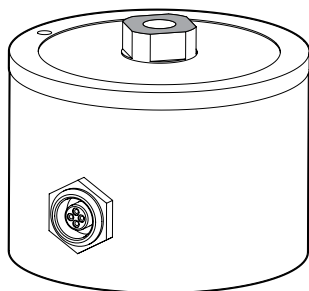


FEATURES

- For use in both tension and compression
- Monolithic multibeam construction
- Utilizes metal foil strain gauge technology
- Highly resistant to off-axis loading



Fixed end



SPECIFICATIONS

PERFORMANCE

Nonlinearity	±0.25% of RO*
Hysteresis	±0.25% of RO*
Nonrepeatability	±0.05% of RO

ELECTRICAL

Rated Output (RO)	1 mV/V nom (25, 50, 250 lb) 2 mV/V nom (100, 500 lb)
Excitation (VDC or VAC)	20 max
Bridge Resistance	700 Ohm nom
Insulation Resistance	≥500 MOhm @ 50 VDC
Connection	LEMO Receptacle (EGG.0B.304.CLL) 6 Pin BENDIX Receptacle (Optional)
Connector Code	CC4

MECHANICAL

Weight (approximate)	5 oz [142 g] (25-100 lb) 10 oz [284 g] (250-500 lb)
Safe Overload	150% of RO
Material	2024 aluminum (25-100 lb) 17-4 PH stainless-steel (250-500 lb)
IP Rating	IP50

TEMPERATURE

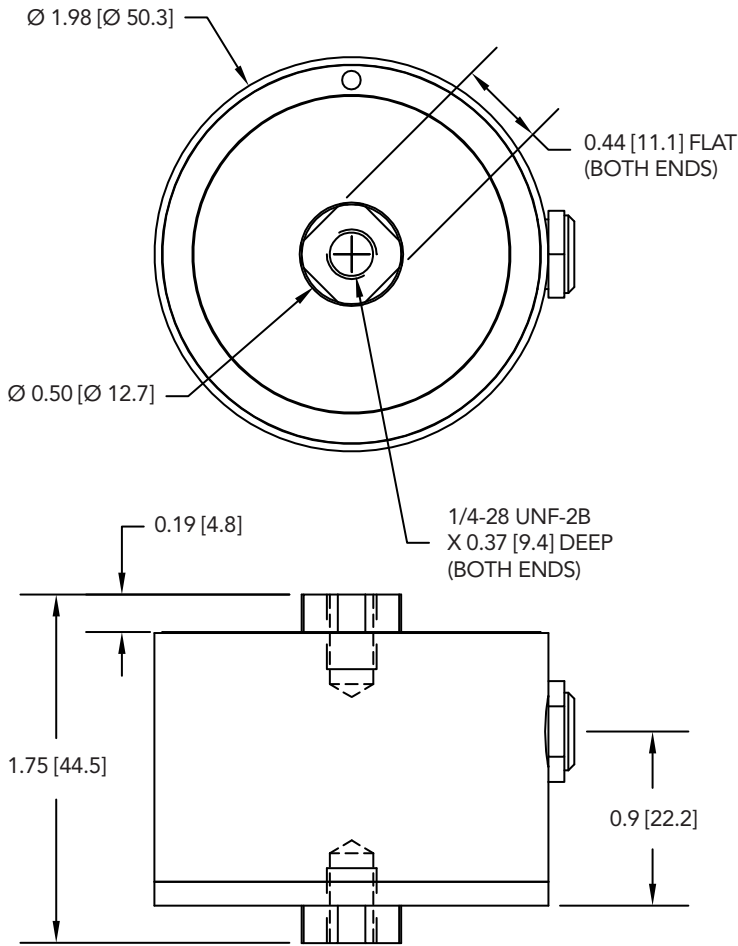
Operating Temperature	-60 to 200°F [-50 to 93°C]
Compensated Temperature	60 to 160°F [15 to 72°C]
Temperature Shift Zero	±0.02% of RO/°F [0.036% of RO/°C] (25, 50, 250 lb) ±0.01% of RO/°F [0.018% of RO/°C] (100, 500 lb)
Temperature Shift Span	±0.01% of Load/°F [0.018% of Load/°C]

CALIBRATION

Calibration Test Excitation	10 VDC
Calibration (standard)	5-pt tension
Calibration (available)	Compression
Shunt Calibration Value	100 kOhm, 200 kOhm (25, 50, 250 lb)

*Typically tension results achieve better than 0.15% in nonlinearity and hysteresis.

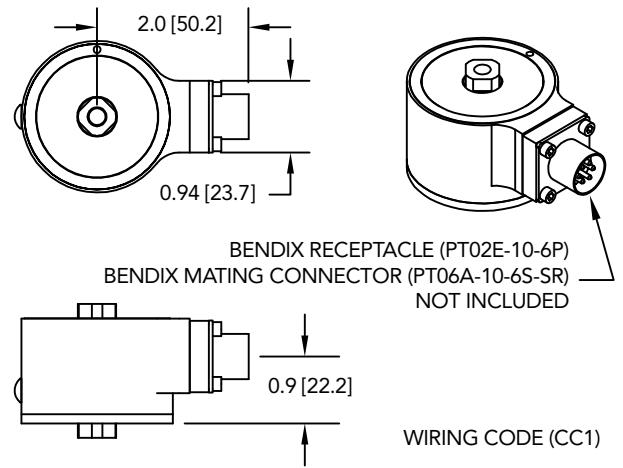
DIMENSIONS inches [mm]



CAPACITIES

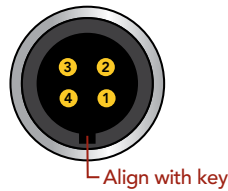
ITEM #	lb	N	Deflection (in)	Natural Frequency (Hz)
FSH04269	25	111	0.0012	1800
FSH04270	50	222	0.0023	2600
FSH04271	100	445	0.0023	2600
FSH04272	250	1112	0.0018	3700
FSH04273	500	2224	0.0018	3700

BENDIX VERSION (OPTIONAL)



LEMO 4-PIN (CC4)

PIN	COLOR	DESCRIPTION
1	Red	+ Excitation
2	Green	+ Signal
3	White	- Signal
4	Black	- Excitation



BENDIX 6-PIN (CC1/CC1T)

PIN	COLOR	DESCRIPTION	TEDS DESCRIPTION
A	Red	+ Excitation	+ Excitation
B	Black	- Excitation	- Excitation
C	Green	+ Signal	+ Signal
D	White	- Signal	- Signal
E	Orange	+ Sense	TEDS Data
F	Blue	- Sense	TEDS GND

Drawing Number: FI1467

FUTEK reserves the right to modify its design and specifications without notice. Please visit www.futek.com/salesterms for complete terms and conditions.

10 Thomas, Irvine, CA 92618 USA

Tel: (949) 465-0900

Fax: (949) 465-0905

www.futek.com



U.S. Manufacturer